

DRYWELL / HOPPER BARGES



Hopper Barge 489 m³

request for quotation >

Main Specifications

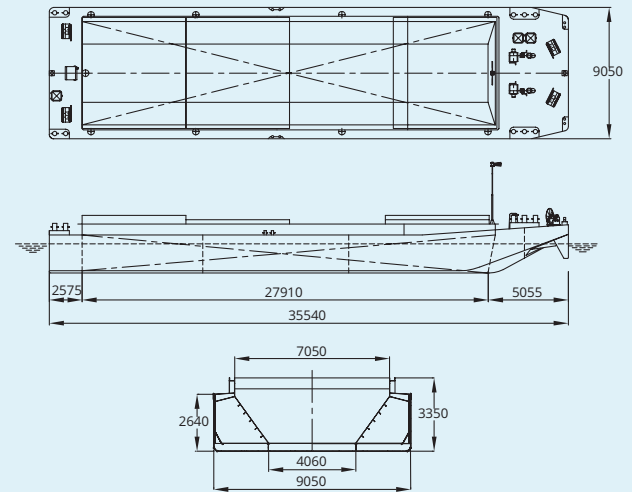
Length over all	35.54 m
Breadth over all	9.05 m
Depth	2.64 m
Free board	0.07 m
Air draught	4.22 m
Draught unloaded	0.52 m
Draught loaded	2.57 m
Loading capacity	602 ton

Hopper hold

Volume	489 m ³
Length	27.91 m
Breadth on coaming	7.05 m
Breadth on floor	4.06 m

Particulars

Hopper Barge no.	B51, B53 (2 pc.)
Built	1983 / renovated 2001
Hull Certification	inland
Operating area	river, port and lake
Weight	240 ton



Hopper Barge 697 m³

request for quotation >

Main Specifications

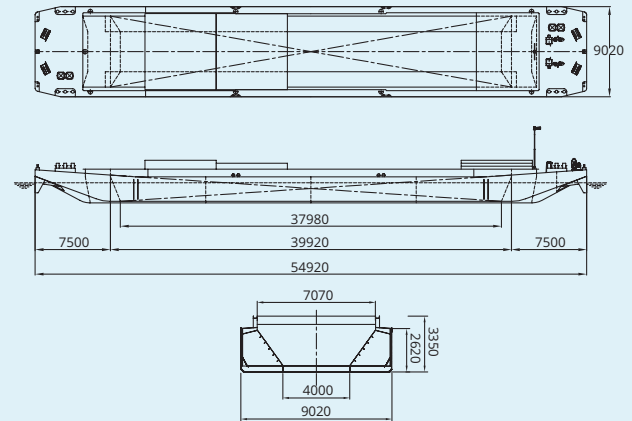
Length over all	54.92 m
Breadth over all	9.02 m
Depth	2.62 m
Free board	0.07 m
Air draught	4.25 m
Draught unloaded	0.56 m
Draught loaded	2.55 m
Loading capacity	847 ton

Hopper hold

Volume	697 m ³
Length	39.92 m
Breadth on coaming	7.07 m
Breadth on floor	4.00 m

Particulars

Hopper Barge no.	B75
Built	1984 / renovated 2002
Hull Certification	inland
Operating area	river, port and lake
Weight	225 ton



Hopper Barge 881 m³

request for quotation >

Main Specifications

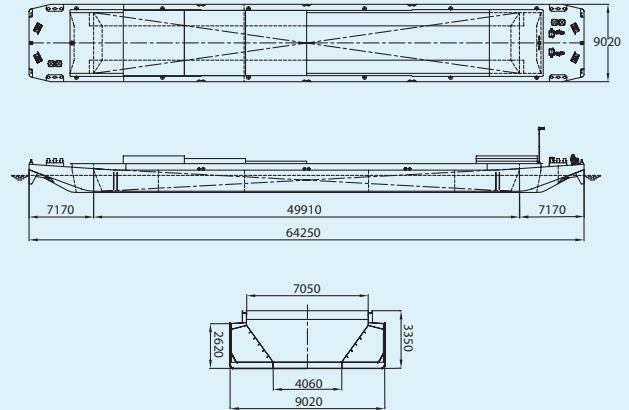
Length over all	64.25 m
Breadth over all	9.02 m
Depth	2.62 m
Free board	0.07 m
Air draught	4.26 m
Draught unloaded	0.54 m
Draught loaded	2.55 m
Loading capacity	1057 ton

Hopper hold

Volume	881 m ³
Length	49.91 m
Breadth on coaming	7.05 m
Breadth on floor	4.06 m

Particulars

Hopper Barge no.	B82 - B83 (2 pc.)
Built	1983 / renovated 2001 1985 / renovated 2002
Hull Certification	inland
Operating area	river, port and lake
Weight	255 ton



Hopper Barge 850 m³

request for quotation >

Main Specifications

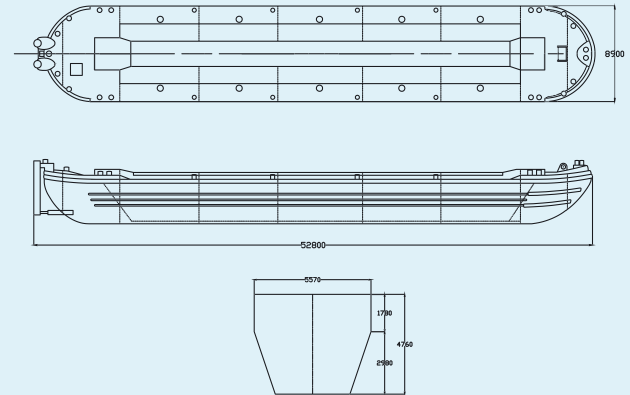
Length over all	52,8 m
Breadth over all	8,90 m
Depth	4,75 m
Free board	0,10 m
Air draught	5,10 m
Draught unloaded	0,82 m
Draught loaded	3,91 m
Loading capacity	1233 ton

Hopper hold

Volume	850 m ³
Length	52,80 m
Breadth on coaming	55,7 m

Particulars

Hopper Barge no.	B84, B85 (2 pc.)
Built	1964
Hull Certification	inland
Operating area	river, port and lake
Weight	260 ton



Seagoing Hopper Barge 1050 m³

request for quotation >

Main Specifications

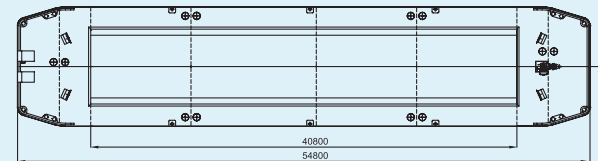
Length over all	54.84 m
Breadth over all	11.4 m
Depth	3.85 m
Free board	0.15 m
Air draught	5.52 m
Draught unloaded	0.58 m
Draught loaded	3.85 m
Loading capacity	1650 ton

Hopper hold

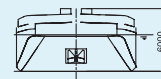
Volume	1050 m ³
Length betw. perpendiculars	54.8 m
Breadth on coaming	7.2 m
Breadth on floor	6 m

Particulars

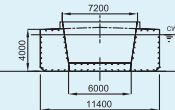
Hopper Barge no.	B1003, B1004, B1005, B1006, B1007 B1008 (6 pc.)
Built	2018 - 2025
Hull Certification	inland and seagoing
Operating area	river, port, lake, coastal area and sea
Weight	303 ton
	1 anchor winch
Optional	2 or 4 coupling winches,



Front view



Hopper section



Dredging ports, rivers, coastlines and sea

