

MOORING SYSTEMS



baar

10 Ton Single Wide Drum Winch

request for quotation >

Technical information

Length	1574 mm
Breadth	820 mm
Height	942 mm
Total weight (without wire)	1250 kg

Particulars

Power hydraulic: Hydro motor 45 cc, ΔP th = 237 bar pressure drop, oil flow Q_v th = 42 ltr/min.

Gearbox: Type OK F 30 drive, factory filled with +/- 3 ltr.

Gearbox oil ISO-VG 220

Manually operated clutch for free rotating and easy anchor handling

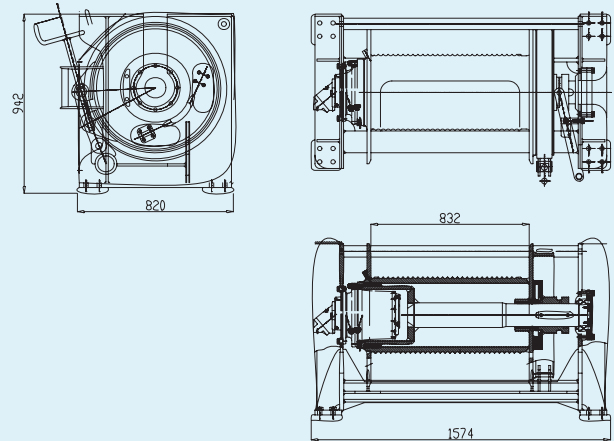
Two types of breaks are installed: band brake manual released, hydraulic disc brake automatic released

Grooved drum for better laying the rope

The support bearing, drum bearings, clutch and brake spindle has to be lubricated with calcium grease, penetration class NLGL2

Performance

Tension on 1st Layer	10 t
Holding capacity 1st layer	20 t
Diameter of steel wire	\varnothing 24 mm
Drum capacity	370 meter 7 layers
Rope speed	10 m/min 1st layer
Operated	Remote control (HPU)
Oil flow	42 l/min.



18 Ton Single Drum Winch

request for quotation >

Technical information

Length	1.727 mm
Breadth	930 mm
Height	1.250 mm
Total weight (without wire)	2.600 kg

Particulars

Power hydraulic: Hydro motor 125 cc, ΔP th = 255 bar pressure drop, oil flow Qv th = 80 ltr/min. (max 160 ltr/min)

Gearbox: type OK F80 drive, filled with +/- 7 ltr. gearbox oil, ISO-VG 220

Manually operated clutch for free floating and easy anchor handling

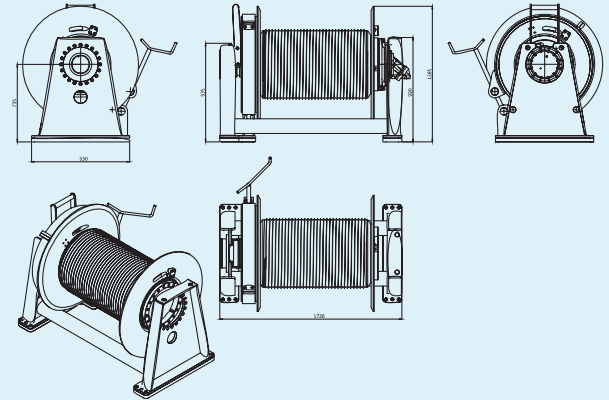
Two types of breaks are installed: band brake manual released; hydraulic disc brake automatic released

Grooved drum for better laying the rope

The support bearing, drum bearings, clutch and brake spindle has to be lubricated with calcium grease, penetration class NLGL2

Performance

Tension on 1st Layer	18 t
Holding capacity 1st layer	27 t
Diameter of steel wire	Ø 28 mm
Drum capacity	500 meter 6 layers
Rope speed	11 m/min 1st layer
Operated	Remote control (HPU)
Oil flow	80 l/min.
Optional	Self tensioning system



Hydraulic Power Unit (HPU)

request for more information >

Technical information

Length	2.280 mm
Breadth	1.280 mm
Height	1.863 mm
Total weight (without wire)	2.500 kg

Diesel engine

Number of cylinders	4
Power	72 kW
RPM	1.800
Cooling	Radiator cooled
Fuel	Gasoil
Fuel tank	160 liter

Hydraulic system

Working pressure	250 bar
Flow	140 liter/min
Hydraulic tank	600 liter

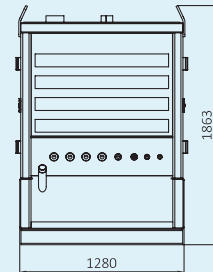
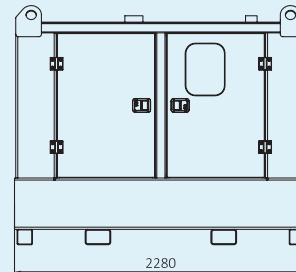
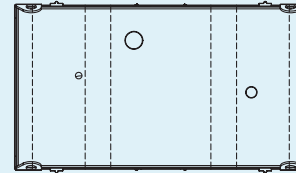
Environment Hydraulic bio-oil

Electric system

Volt	12 Volt DC
Battery	1 x 12 Volt - 140 Ah
Main switch	Yes

Remote controller

Scanreco	8 functions
----------	-------------



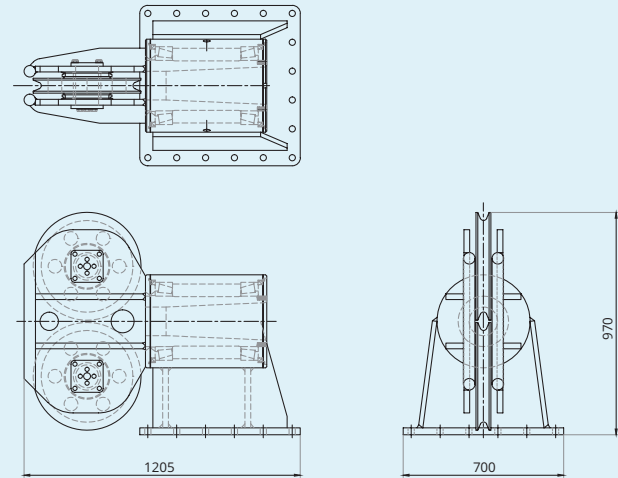
Swivelhead Fairlead

request for more information >

Technical information

Length	1205 mm
Breadth	700 mm
Height	970 mm
Total weight	1.050 kg
Wire diameter	Ø28–30 mm
Ø28 mm MBL	55 ton
Ø30 mm MBL	64 ton

Built to withstand minimum breaking load (MBL) of indicated cable at 90° sheave wrap and by 90° head swing. Including foundation plate included for easy mounting on deck. Base designed for welding to deck, construction made from steel S355, completely painted according to Baars paint specifications.



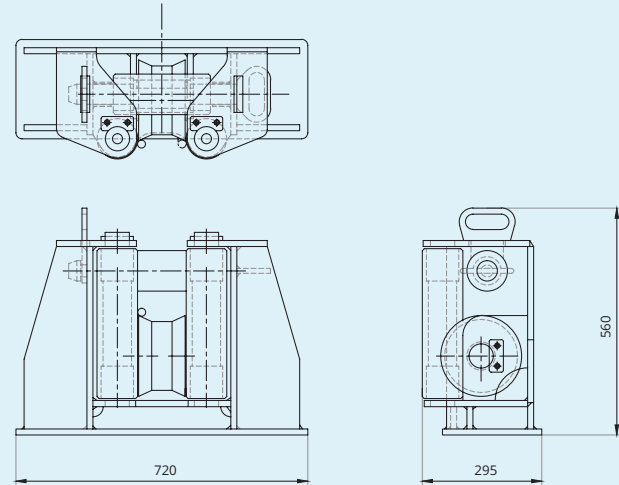
Roller Fairlead

request for more information >

Technical information

Length	720 mm
Breadth	295 mm
Height	560 mm
Total weight	235 kg
Wire Diameter	Ø18-20 mm
Ø18 mm MBL	23 ton
Ø20 mm MBL	28 ton

Built to withstand minimum breaking load (MBL) of indicated cable at 90°. Steel roller shafts with bronze bearing bushes. Base designed for welding to deck, construction made from steel, S355, completely painted according to Baars paint specifications.



Anchor Delta Flipper 500 / 2000 kg – 4 pcs.

Anchors are connected with winches via shackles and 500mtr 28mm steel wires and placed to the seabed for fixing of the pontoon/barge at certain place.

Anchor rack Delta Flipper 500 / 2000 kg – 4 pcs.

Anchor racks are used for positioning of anchors when they are not in use.

Anchor Buoy with steel wire – 4 pcs.

Anchor buoys are used to locate the steel wire which is fastened at the front of the anchor and used for loosening the anchor out of soil.

