

# MONO PONTOON



# Multifunctional pontoon SeaTrencher 60x15

request for more information >

**Activities** cable layer, dredging, drilling and piling

**Main Specifications** pontoon type Monohull 60x15x3 m

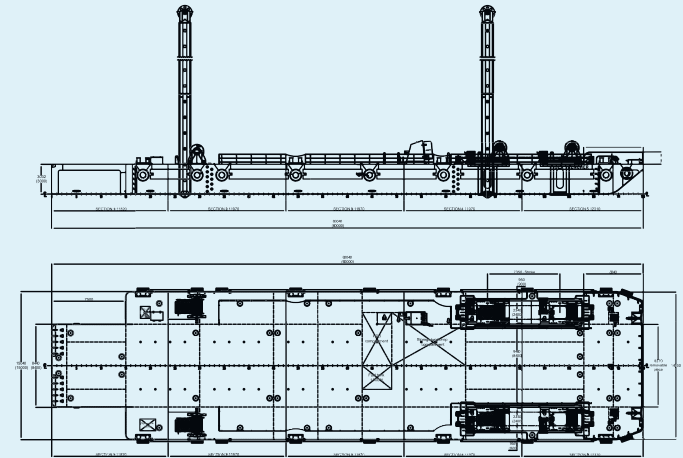
Length	60.03 m
Breadth	15.04 m
Depth	3.06 m
Draught unloaded	1.02 m
Draught loaded	1.99 m
Deck load	12 ton/ m <sup>2</sup>
Crane type	excavator / crawler crane
Crane capacity	250 - 300 ton
Power	Diesel electric
Spudlegs	4 pc. length 34 m

## Technical specifications spud legs

Spudsystem	2 pcs wire spudleg
	1200 x 1200 x 34.000mm, each operated by a 40t single drum hydraulic winch
Walking spud system	2 pcs wire spudleg
	1200 x 1200 x 34.000mm, each operated by a 60t single drum hydraulic winch and a traveling distance of ca 7.5m

## Classification

Hull Certification	inland and seagoing
Operating area	river, port, lake, coastal area and sea
<b>Environment</b>	<b>Hydraulic bio-oil</b>



# Monopontoon **Le Genois** 42x12

request for more information >

**Activities** Dredging, drilling, piling, jetty and platform

## Main Specifications

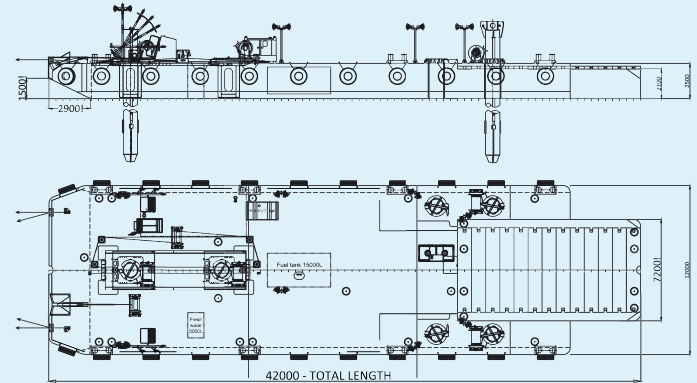
Length	42.04 m
Breadth	12.04 m
Depth	2.54 m
Draught unloaded	0.74 m
Draught loaded	1.58 m
Deck load	380 ton
Crane capacity	140 ton max
Spudlegs	3 + 1 walkingspudleg

## Technical specifications spud legs

Number	4
Length	24 m
Breadth (length)	1.016 m
Breadth (width)	1.016 m
Weight	21 ton

## Classification

Hull Certification	inland and seagoing
Operating area	river, port, lake, coastal area and sea



# Mono Pontoon 30x11

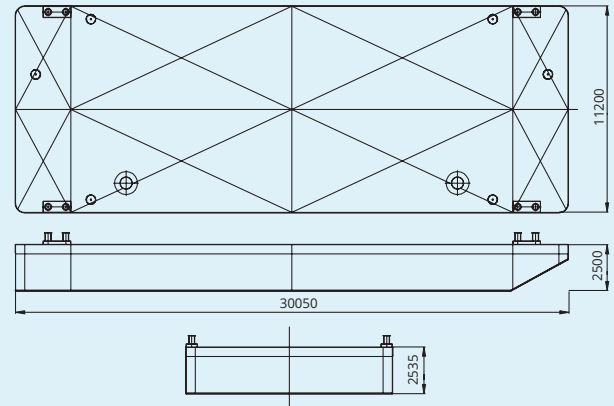
[request for more information](#)

## Main Specifications

Length	30.05 m
Breadth	11.20 m
Depth	2.50 m
Deck load	6 tonnes/m <sup>2</sup>
Deck load with dragline mats	20 tonnes/m <sup>2</sup>
Number of water-tight compartments	8
Average draft	0.48 m

## Classification

Hull Certification	inland
Operating area	river, port and lake



# Monopontoon flatbed ponton 23x4 m

request for more information >

**Activities** operations in narrow canals and waterways

## Main Specifications

Length	23.00 m
Breadth	4.48 m
Depth	2.20 m
Draught unloaded	2.04 m
Draught loaded	
Deck load	
Crane capacity	64 ton max

## Extra applications

height adjustable ramp for loading crane

## Classification

Hull Certification	inland
Operating area	City Centers

