

Main Specifications

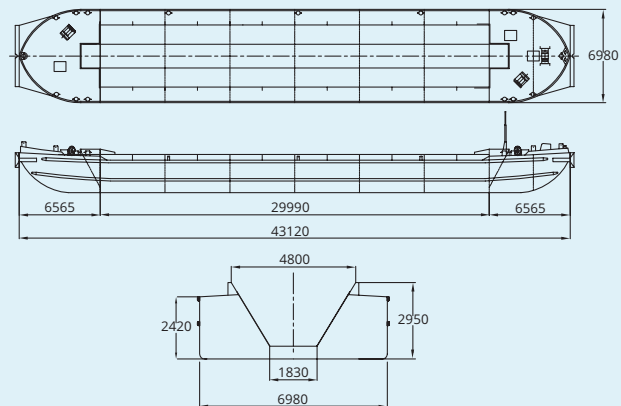
Length over all	43.12 m
Breadth over all	6.98 m
Depth	2.42 m
Free board	0.14 m
Air draught	3.50 m
Draught unloaded	0.59 m
Draught loaded	2.28 m
Loading capacity	490 tonnes

Hopper hold

Volume	240 m ³
Length	29.99 m
Breadth on coaming	4.80 m
Breadth on floor	1.83 m
Wear plates	13 mm

Particulars

Drywell Hopper Barge no.	B63, B64 (2 no.)
Built	1963 / adjusted 1991
Inland classification	NSI (CvO/CBB)
	Zone 2 (NL), 3, 4 + Rhine
Weight	150 tonnes



Main Specifications

Length over all	40.70 m
Breadth over all	6.64 m
Depth	2.47 m
Free board	0.04 m
Air draught	3.74 m
Draught unloaded	0.55 m
Draught loaded	2.43 m
Loading capacity	461 tonnes

Hopper hold

Volume	250 m ³
Length	27.50 m
Breadth on coaming	4.62 m
Breadth on floor	1.30 m
Wear plates	12 mm

Particulars

Drywell Hopper Barge no.	B46, B47 (2 no.)
Built	1964 / adjusted 1989
Inland classification	NSI (CvO/CBB)
	Zone 2 (NL), 3, 4 + Rhine
Weight	124 tonnes

