

Seagoing Hopper Barge 1050 m³

request for quotation >

Main Specifications

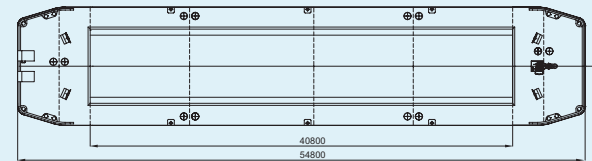
Length over all	54.84 m
Breadth over all	11.4 m
Depth	3.85 m
Free board	0.15 m
Air draught	5.52 m
Draught unloaded	0.58 m
Draught loaded	3.85 m
Loading capacity	1650 tonnes

Hopper hold

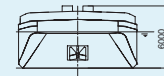
Volume	1050 m ³
Length betw. perpendiculars	54.8 m
Breadth on coaming	7.2 m
Breadth on floor	6 m

Particulars

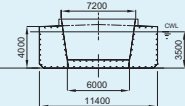
Hopper Barge no.	B1003 - B1004 - B1005 - B1006
Built	2018 - 2023
Seagoing classification	C ✕ Hull Barge; coastal area
Inland classification	NSI (CvO/CBB)
Weight	303 tonnes
Additional information	2 coupling winches, 1 anchor winch



Front view



Hopper section



Hopper Barge 489 m³

request for quotation >

Main Specifications

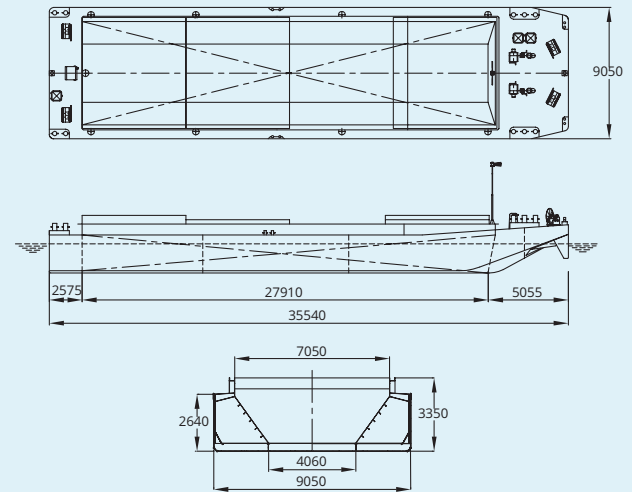
Length over all	35.54 m
Breadth over all	9.05 m
Depth	2.64 m
Free board	0.07 m
Air draught	4.22 m
Draught unloaded	0.52 m
Draught loaded	2.57 m
Loading capacity	602 tonnes

Hopper hold

Volume	489 m ³
Length	27.91 m
Breadth on coaming	7.05 m
Breadth on floor	4.06 m

Particulars

Hopper Barge no.	B51, B53 (2 no.)
Built	1983 / adjusted 2001
Inland classification	NSI (CvO/CBB)
	Zone 2 (NL), 3, 4 + Rhine
Certificate	Port of London Authority
Weight	240 tonnes



Hopper Barge 697 m³

request for quotation >

Main Specifications

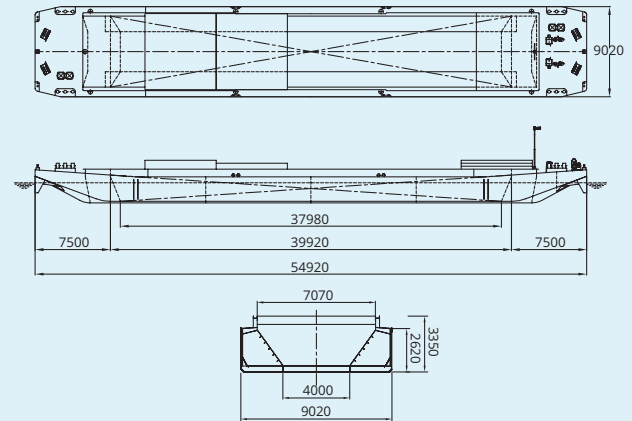
Length over all	54.92 m
Breadth over all	9.02 m
Depth	2.62 m
Free board	0.07 m
Air draught	4.25 m
Draught unloaded	0.56 m
Draught loaded	2.55 m
Loading capacity	847 tonnes

Hopper hold

Volume	697 m ³
Length	39.92 m
Breadth on coaming	7.07 m
Breadth on floor	4.00 m

Particulars

Hopper Barge no.	B75
Built	1984 / adjusted 2002
Inland classification	NSI (CvO/CBB)
	Zone 2 (NL), 3, 4 + Rhine
Weight	225 tonnes



Hopper Barge 850 m³

request for quotation >

Main Specifications

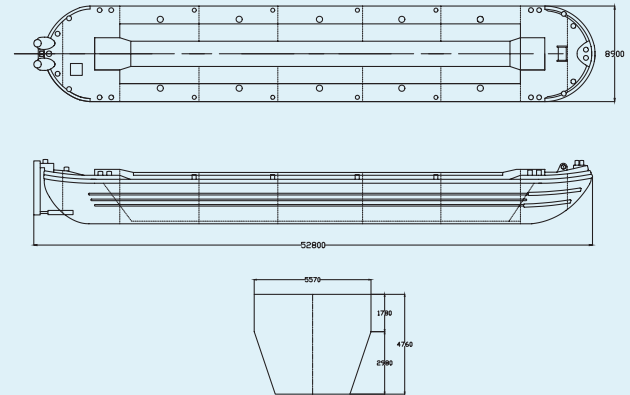
Length over all	52,8 m
Breadth over all	8,90 m
Depth	4,75 m
Free board	0,10 m
Air draught	5,10 m
Draught unloaded	0,82 m
Draught loaded	3,91 m
Loading capacity	1233 tonnes

Hopper hold

Volume	850 m ³
Length	52,80 m
Breadth on coaming	55,7 m

Particulars

Hopper Barge no.	B84, B85 (2no.)
Built	1964
Inland classification	CCB zone 2,3 en 4
Weight	260 tonnes



Main Specifications

Length over all	64.25 m
Breadth over all	9.02 m
Depth	2.62 m
Free board	0.07 m
Air draught	4.26 m
Draught unloaded	0.54 m
Draught loaded	2.55 m
Loading capacity	1057 tonnes

Hopper hold

Volume	881 m ³
Length	49.91 m
Breadth on coaming	7.05 m
Breadth on floor	4.06 m

Particulars

Hopper Barge no.	B80 - B83 (4 no.)
Built	1983 / adjusted 2001 1985 / adjusted 2002
Inland classification	NSI (CvO/CBB) Zone 2 (NL), 3, 4 + Rhine
Certificate	Port of London Authority
Weight	255 tonnes

