

# Dismountable Split Hopper Barge 160 m<sup>3</sup>

request for quotation >

## Main Specifications

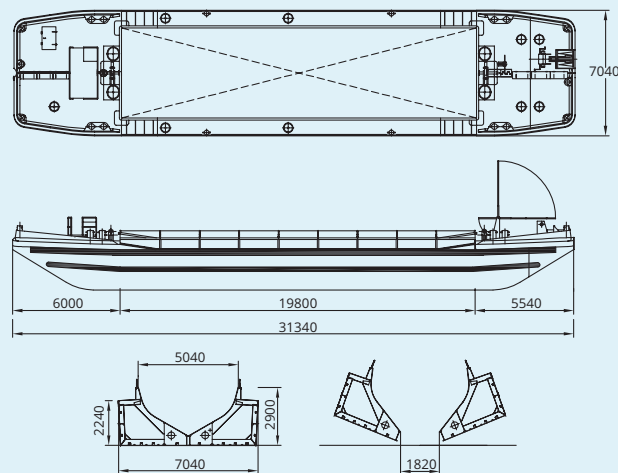
Length over all	31.34 m
Breadth over all	7.04 m
Depth	2.24 m
Seagoing draught loaded	2.02 m
Seagoing dredging freeboard	0.23 m
Seagoing loading capacity	287 tonnes
Inland draught loaded	2.10 m
Inland dredging freeboard	0.15 m
Inland loading capacity	296 tonnes
Air draught (above lightship draught)	3.55 m
Draught unloaded	0.58 m

## Hopper hold

Volume	160 m <sup>3</sup>
Length	19.80 m
Breadth on coaming	5.04 m
Bottom opening	1.82 m

## Particulars

Split Hopper Barge no.	B109 - B113 - B114 (3 pc.)
Built	2019 - 2020
Seagoing Classification	GL/RINA *100 A5 RSA (20)
Inland Classification	NSI (CvO/CBB)
	Zone 2 (NL), 3, 4 + Rhine
Weight	92 tonnes
Additional information	4 parts transportable, remote controlled



# Split Hopper Barge 335 m<sup>3</sup>

request for quotation >

## Main Specifications

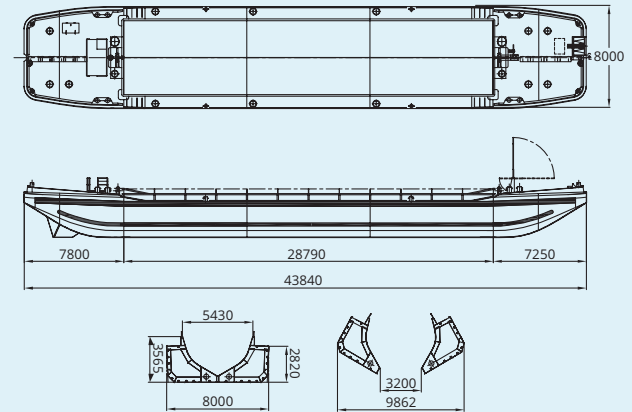
Length over all	43.84 m
Breadth over all	8.00 m
Depth	2.82 m
Seagoing draught loaded	2.12 m
Seagoing dredging freeboard	0.40 m
Seagoing loading capacity	455 tonnes
Inland draught loaded	2.74 m
Inland dredging freeboard	0.07 m
Inland loading capacity	637 tonnes
Air draught (above lightship draught)	3.56 m
Draught unloaded	0.69 m

## Hopper hold

Volume	335 m <sup>3</sup>
Length	28.79 m
Breadth on coaming	5.43 m
Bottom opening	3.20 m

## Particulars

Split Hopper Barge no.	B305 - B306 (2 pc.)
Built	2019
Seagoing Classification	GL ✕ 100 A5 RSA (20)
Inland Classification	NSI (CvO/CBB) Zone 2 (NL), 3, 4 + Rhine
Split Hopper Barge no.	B302 (1 no.)
Weight	175 tonnes
Additional information	Remote controlled



# Split Hopper Barge 450 m<sup>3</sup>

request for quotation >

## Main Specifications

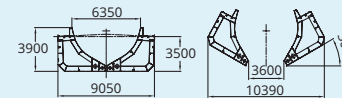
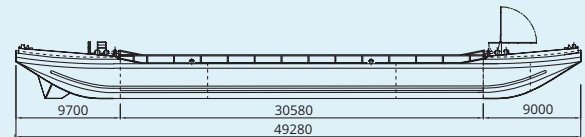
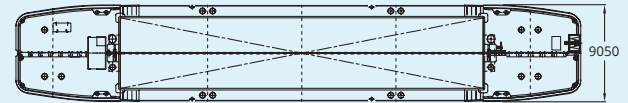
Length over all	49.28 m
Breadth over all	9.05 m
Depth	3.50 m
Seagoing draught loaded	2.95 m
Seagoing dredging freeboard	0.45 m
Seagoing loading capacity	820 tonnes
Inland draught loaded	3.25 m
Inland dredging freeboard	0.15 m
Inland loading capacity	908 tonnes
Air draught (above lightship draught)	4.30 m
Draught unloaded	0.78 m

## Hopper hold

Volume	450 m <sup>3</sup>
Length	30.58 m
Breadth on coaming	6.35 m
Bottom opening	3.60 m

## Particulars

Split Hopper Barge no.	B401 - B405 (5pc.)
Built	2015 - 2021
Seagoing Classification	GL/RINA ✕ 100 A5 RSA (20)
Inland Classification	NSI (CvO/CBB)
	Zone 2 (NL), 3, 4 + Rhine
Weight	240 tonnes
Additional information	Remote controlled



# Split Hopper Barge 600 m<sup>3</sup>

request for quotation >

## Main Specifications

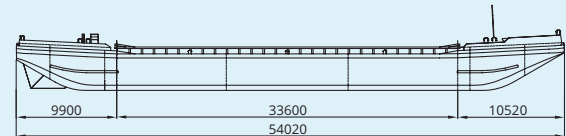
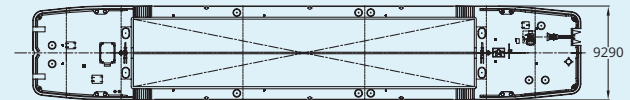
Length over all	54.02 m
Breadth over all	9.29 m
Depth	3.60 m
Seagoing draught loaded	3.15 m
Seagoing dredging freeboard	0.45 m
Seagoing loading capacity	1027 tonnes
Inland draught loaded	3.55 m
Inland dredging freeboard	0.05 m
Inland loading capacity	1193 tonnes
Air draught (above lightship draught)	5.23 m
Draught unloaded	0.86 m

## Hopper hold

Volume	600 m <sup>3</sup>
Length	33.60 m
Breadth on coaming	7.60 m
Bottom opening	3.90 m

## Particulars

Split Hopper Barge no.	B601 - B602 (2 pc.)
Built	2014
Seagoing Classification	GL ✱ 100 A5 RSA (20)
Inland Classification	NSI (CvO/CBB)
	Zone 2 (NL), 3, 4 + Rhine
Weight	320 tonnes
Additional information	Remote controlled



# Split Hopper Barge 850 m<sup>3</sup>

request for quotation >

## Main Specifications

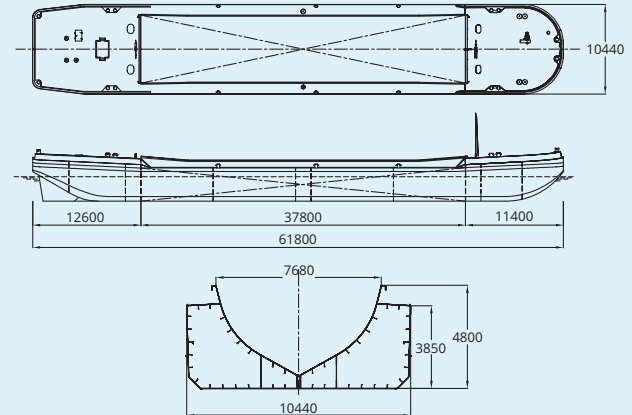
Length over all	61.80 m
Breadth over all	10.44 m
Depth	3.85 m
Seagoing draught loaded	2.85 m
Seagoing dredging freeboard	1.00 m
Seagoing loading capacity	1287 tonnes
Inland draught loaded	3.82 m
Inland dredging freeboard	0.05 m
Inland loading capacity	1731 tonnes
Air draught (above lightship draught)	5.60 m
Draught unloaded	0.80 m

## Hopper hold

Volume	844 m <sup>3</sup>
Length	37.80 m
Breadth on coaming	7.68 m
Bottom opening	3.65 m

## Particulars

Split Hopper Barge no.	B801 - B802 (2 pc.)
Built	2012, 2013
Seagoing Classification	GL ✕ 100 A5 RSA (20)
Inland Classification	NSI (CvO/CBB)
	Zone 2 (NL), 3, 4 + Rhine
Weight	430 tonnes
Additional information	Remote controlled



# Split Hopper Barge 1000 m<sup>3</sup>

request for quotation >

## Main Specifications

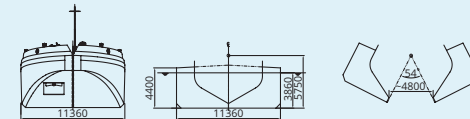
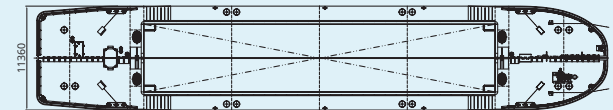
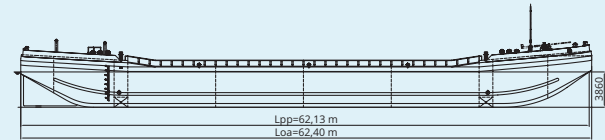
Length over all	62.40 m
Breadth over all	11.40 m
Depth	4.40 m
Seagoing draught loaded	3.85 m
Seagoing dredging freeboard	0.55 m
Seagoing loading capacity	1850 tonnes
Inland draught loaded	4.13 m
Inland dredging freeboard	0.28 m
Inland loading capacity	2000 tonnes
Air draught (above lightship draught)	6.4 m
Draught unloaded	1.0 m

## Hopper hold

Volume	1000 m <sup>3</sup>
Length	38.40 m
Breadth on coaming	7.4 m
Bottom opening	4.8 m

## Particulars

Splithopperbarge no.	B1002
Built	2017
Seagoing Classification	GL ✱ 100 A5 RSA (20)
Inland Classification	NSI (CvO/CBB)
	Zone 2 (NL), 3, 4 + Rhine
Weight	485 tonnes
Additional information	Remote controlled



# Split Hopper Barge 1100 m<sup>3</sup>

request for quotation >

## Main Specifications

Length over all	49.85 m
Breadth over all	12,45 m
Depth	4.70 m
Seagoing draught loaded	4,07 m
Seagoing dredging freeboard	0.63 m
Seagoing loading capacity	1810 tonnes
Inland draught loaded	4.40 m
Inland dredging freeboard	0.30 m
Inland loading capacity	2010 tonnes
Air draught (above lightship draught)	5.42 m
Draught unloaded	0.93 m

## Hopper hold

Volume	1100 m <sup>3</sup>
Length	34.00 m
Breadth on coaming	8.40 m
Bottom opening	3.67 m

## Particulars

Split hopper barge no.	B1101- B1102 (2 pc.)
Built	2002
Seagoing Classification	C ✕ split hopper unit, no propulsion; coastal area
Inland Classification	NSI (CvO/CBB)
Weight	440 tonnes
Additional information	Remote controlled

