

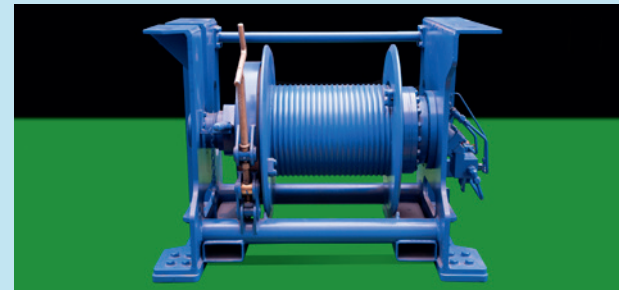
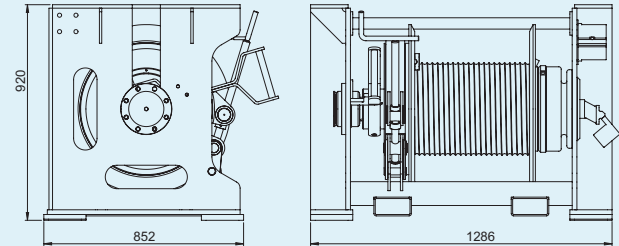
# 7 Tonnes Single Drum Winch

## Technical information

Length	1.286 mm
Breadth	852 mm
Height	920 mm
Total weight (without wire)	1.000 kg
Power hydraulic: Hydro motor 32 cc, $\Delta P$ th = 240 bar pressure drop, oil flow $Q_v$ th = 33 ltr/min.	
Gearbox: type OK F20 drive, filled with +/- 3 ltr. gearbox oil ISO-VG 150	
Clutch Hydraulic actuated expanding band type clutch, also the clutch can be mechanically locked by usage of 2 easy to install locking pins.	
Two types of breaks are installed: band brake manual released; hydraulic brake automatic released	
Control Local on power unit/remote	
The support bearing, drum bearings, clutch and brake spindle has to be lubricated with calcium grease, penetration class NLGL2	

## Performance

Tension on 1st Layer	75 Kn.
Holding capacity 1st layer	100 Kn.
Diameter of steel wire	18 mm
Drum capacity	250 meter 7 layers
Rope speed	10 m/min First layer



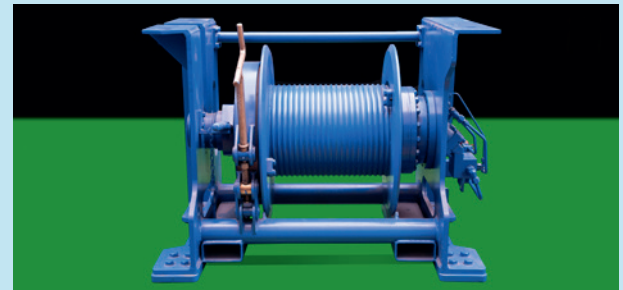
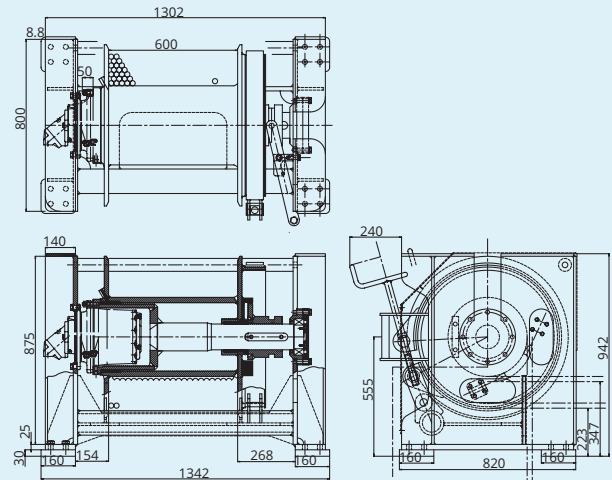
# 10 Tonnes Single Drum Winch

## Technical information

Length	1.342 mm
Breadth	820 mm
Height	942 mm
Total weight (without wire)	1.350 kg
Power hydraulic: Hydro motor xx cc, $\Delta P$ th = 281 bar pressure drop, oil flow Qv th = 36 ltr/min.	
Gearbox: Type OK F 30 drive, factory filled with +/- xx ltr. gearbox oil ISO-VG 150	
Clutch Hydraulic actuated expanding band type clutch, also the clutch can be mechanically locked by usage of 2 easy to install locking pins.	
Two types of breaks are installed: band brake manual released; hydraulic brake automatic released	
Control Local on power unit/remote	
The support bearing, drum bearings, clutch and brake spindle has to be lubricated with calcium grease, penetration class NLGL2	

## Performance

Tension on 1st Layer	100 Kn.
Holding capacity 1st layer	200 Kn.
Diameter of steel wire	24 mm
Drum capacity	270 meter 7 layers
Rope speed	10 m/min
max. rope speed at	80 Ltr/min 22m/min



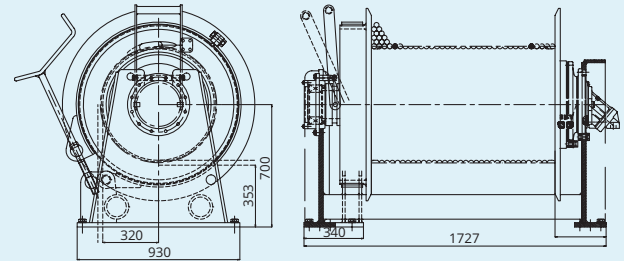
# 18 Tonnes Single Drum Winch

## Technical information

Length	1.727 mm
Breadth	930 mm
Height	1.250 mm
Total weight (without wire)	2.750 kg
Power hydraulic: Hydro motor 125 cc, $\Delta P$ th = 255 bar pressure drop, oil flow $Q_v$ th = 80 ltr/min. (max 160 ltr/min)	
Gearbox: type OK F80 drive, filled with +/- 8 ltr. gearbox oil, ISO-VG 150	
Clutch Hydraulic actuated expanding band type clutch, also the clutch can be mechanically locked by usage of 2 easy to install locking pins.	
Two types of breaks are installed: band brake manual released; hydraulic brake automatic released	
Control Local on power unit/remote	
The support bearing, drum bearings, clutch and brake spindle has to be lubricated with calcium grease, penetration class NLGL2	

## Performance

Tension on 1st Layer	180 Kn.
Holding capacity 1st layer	100 Kn.
Diameter of steel wire	27 mm
Drum capacity	500 meter 6 layers
Rope speed	11 m/min First layer



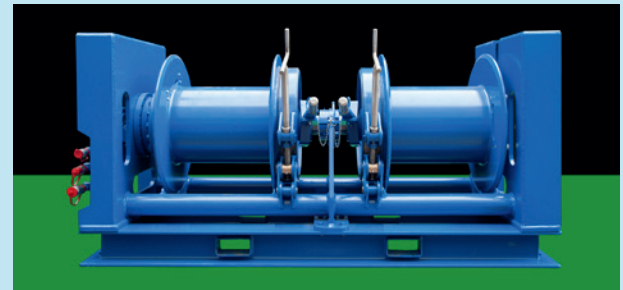
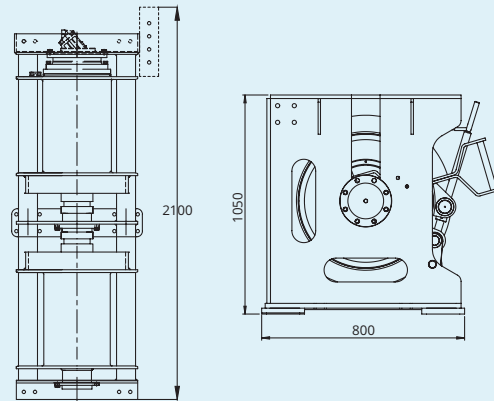
# 7 Tonnes Double Drum Winch

## Technical information

Length	2.100 mm
Breadth	800 mm
Height	1.050 mm
Total weight	1.050 kg
Power hydraulic: Hydro motor 32 cc, $\Delta P$ th = 240 bar pressure drop, oil flow $Q_v$ th = 33 ltr/min.	
Gearbox: Factory filled with +/- 3 ltr. gearbox oil ISO-VG 150	
Clutch Hydraulic actuated expanding band type clutch, also the clutch can be mechanically locked by usage of 2 easy to install locking pins.	
Two types of breaks are installed: band brake manual released; hydraulic brake automatic released	
Control Local on power unit/remote	

## Performance

Tension on 1st Layer	75 Kn.
Tension on 3st Layer	65 Kn.
Holding capacity 1st layer	100 Kn.
Diameter of steel wire	18 mm
Drum capacity	250 meter 7 layers
Rope speed	10 m/min First layer

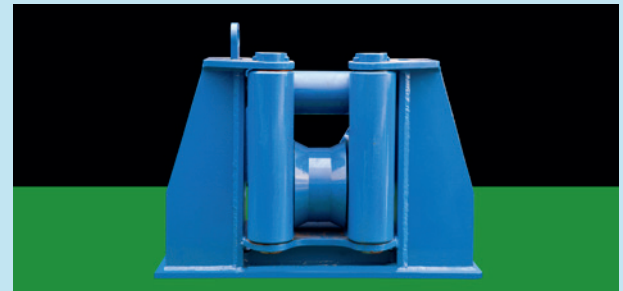
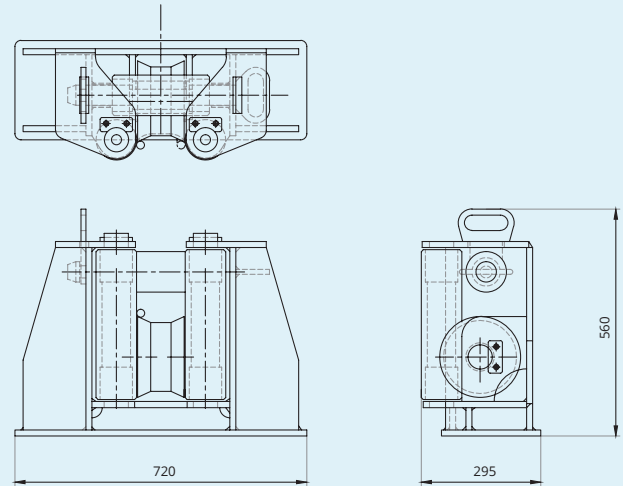


# Roller Fairlead

## Technical information

Length	720 mm
Breadth	295 mm
Height	560 mm
Total weight	235 kg
Wire Diameter	Ø18–20 mm
Ø18 mm MBL	23 tonnes
Ø20 mm MBL	28 tonnes

Built to withstand minimum breaking load (MBL) of indicated cable at 90°. Steel roller shafts with bronze bearing bushes. Base designed for welding to deck, construction made from steel, S355, completely painted according to Baars paint specifications.

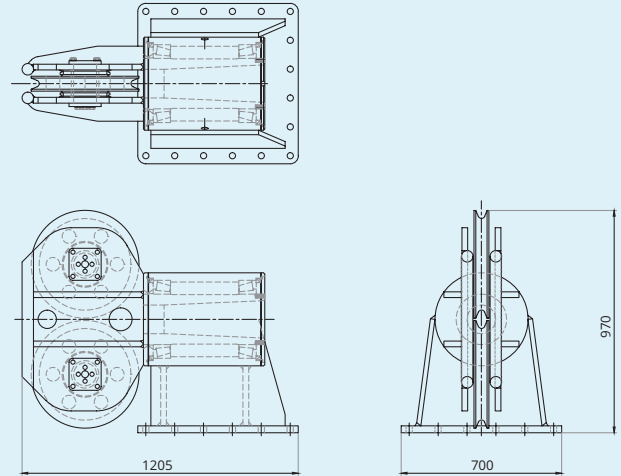


# Swivelhead Fairlead

## Technical information

Length	1205 mm
Breadth	700 mm
Height	970 mm
Total weight	1.050 kg
Wire diameter	Ø28–30 mm
Ø28 mm MBL	55 tonnes
Ø30 mm MBL	64 tonnes

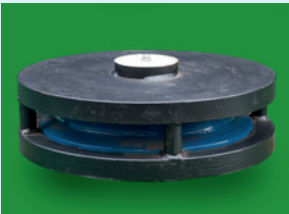
Built to withstand minimum breaking load (MBL) of indicated cable at 90° sheave wrap and by 90° head swing. Barrel equipped with tapered roller bearings. Base designed for welding to deck, construction made from steel S355, completely painted according to Baars paint specifications.



## Marine equipment



Guideroller



Guideroller for wire 28 mm