



DIMENSIONS

L 51,21 M

W 12,20 M

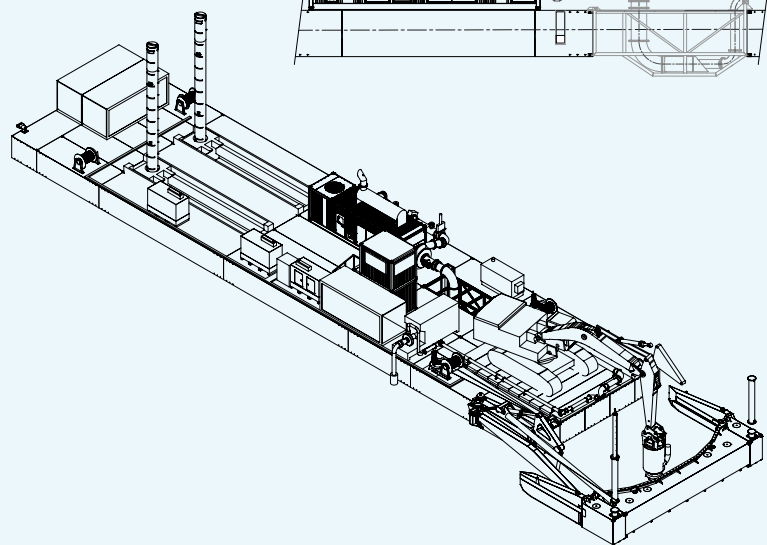
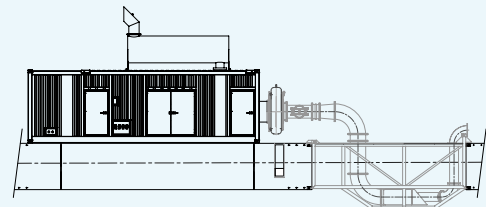
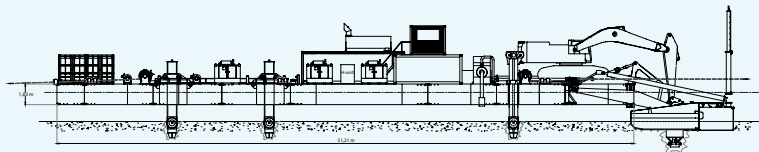
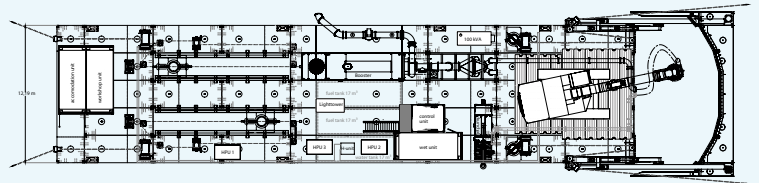
Technical specifications

Length	51.21 m
Breadth	12.20 m
Loading Capacity	624 tonnes



The modular Container pontoon consist out

- 17 pcs 20 ft Confloat Container Pontoons
- 9 pcs 40 ft Container Pontoons
- 2 pcs walking spudlegs
- 2 pcs winch operated spudlegs
- 3 x pcs Hydraulic Power Unit 68 KW
- 1 pcs 20 KvA Aggregaat
- 1 pcs 100 KvA Aggregaat
- 4 pcs Anchor Winches 18 tonnes with 4 tons Delta flipper anchors
- 1 pcs Booster 1.200 KW with 4,5 km pipeline ø 500 mm
- 2 pcs DOP pump type 3530
- CAT 385 excavator
- Jetwaterpomp
- Slurry Blade



Visiting address

Rivierdijk 276, 3361 AV Sliedrecht
The Netherlands

Postal address

P.O. Box 70, 3360 AB Sliedrecht
The Netherlands

T +31 184 41 55 66

E rental@baarsbv.com

I www.baarsbv.com