

## Main details

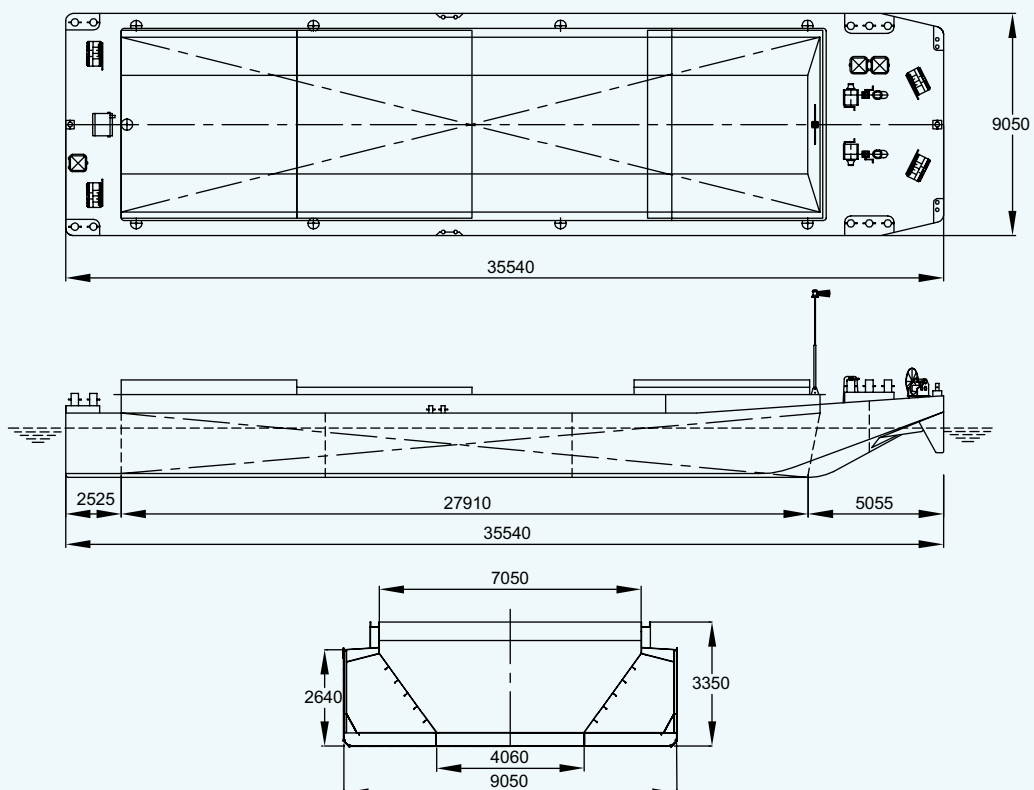
Length over all	35.54 m
Breadth over all	9.05 m
Depth	2.64 m
Free board	0.07 m
Air draught	4.22 m
Draught unloaded	0.52 m
Draught loaded	2.57 m
Loading capacity	602 tonnes

## Particulars

Type	Hopper Barge
Built	1983
Registration no.	25114 BR 2001
European ship no.	02325114
Classification	NSI (C.v.O)
Tonnage certificate	Zone 2, 3, 4 + Rhine
Weight	240 tonnes
Additional information	None

## Hopper hold

Volume	489 m <sup>3</sup>
Length	27.91 m
Breadth on coaming	7.05 m
Breadth on floor	4.06 m



## Main details

Length over all	35.54 m
Breadth over all	9.05 m
Depth	2.64 m
Free board	0.07 m
Air draught	4.22 m
Draught unloaded	0.52 m
Draught loaded	2.57 m
Loading capacity	602 tonnes

## Particulars

Type	Hopper Barge
Built	1987/ adjusted 2001
Registration no.	25135 BR 2001
European ship no.	02325135
Classification	NSI (C.v.O)
Tonnage certificate	Zone 2, 3, 4 + Rhine
Weight	140 tonnes
Additional information	None

## Hopper hold

Volume	489 m <sup>3</sup>
Length	27.91 m
Breadth on coaming	7.05 m
Breadth on floor	4.06 m

